

# MTT

## SERIES

**3** PHASE 12VDC: 50A-200A, 24VDC: 30A-300A  
48VDC: 30A-150A, 110/220VDC: 30A-200A

**1** PHASE 12/24VDC: 10A-300A, 36/48VDC: 10A-150A  
110VDC: 10A-200A, 220VDC: 10A-100A

### THRISTOR CONTROLLED BATTERY CHARGER

#### Usage Areas:

- Transformer Centers
- Vessels and Yachts
- Shipyards
- Rail Systems
- Solar Power Plants
- Automobile Services
- Electrical Devices
- Energy Generation
- Transmission and Distribution Centers
- Petroleum and Natural Gas Industry
- Mining Industry



#### HIGHLIGHTS

- Thyristor Controlled, Transformer System
- Full Automatic System
- Available for Using as DC Current Supply
- Adjustable Normal and Fast Charging Voltage
- Automatic Fast Charging Voltage Setting
- Excess/Low Voltage, Over Current, Short Circuit Protection

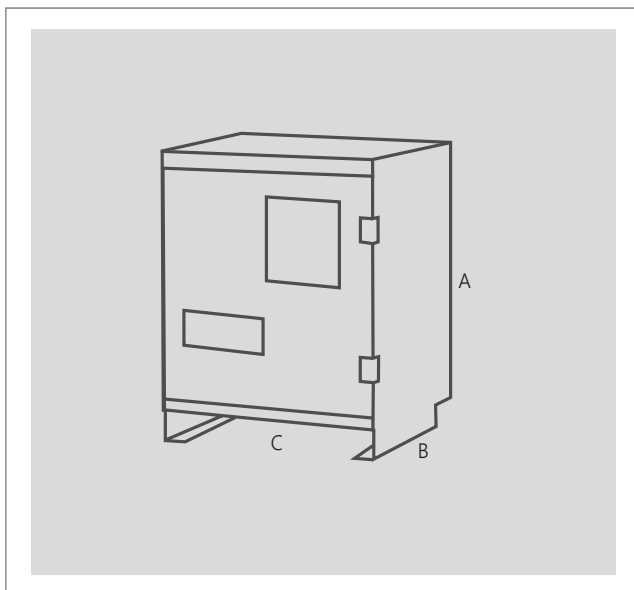
#### Thyristor Controlled Transformer Battery Charging Rectifier

- Transformer battery charging devices are AC/DC rectifiers with automatic constant voltage and constant current properties. They are offered with 6 and 16 pulse options depending on different application needs.
- Thyristor control regulation is extremely fast and battery voltage fluctuations in the network do not affect the system. Also provides complete protection against all types of user errors.

#### CERTIFICATES



MODEL	
<b>INPUT</b>	
Input Phase	1 Phase - 2 Phase - 3 Phase (Special Design)
Input Voltage Tolerance	±10%
Input Frequency	50 - 60 Hz
Power Factor	0.85
THDi	<%20-30
<b>OUTPUT</b>	
Output Current	100A - 100.000A
Output Voltage	5-1000V
Ripple	6 Pulse %4, 12 Pulse %1
<b>GENERAL</b>	
Contacts	Dry Contact
Cooling	Thermostatic Controlled Fan Cooling, Water Cooling or Oil Cooling
Isolation Voltage	1500 VAC Input / Chassis Bridge, 500 VAC Output / Chassis Bridge, 500 VAC Between Input and Output
Insulation Class	IP 20 - RAL 7032 (Special Design)
Efficiency	85%
Operating Temperature	-20/50°C
Programmed Operation	Operation Depending on Requested Amount Value
Input / Output Connections	Thermic Magnetic Switch / Copper Bus Bar
<b>PROTECTION</b>	
Heat Protection	Input / Output Overtemperature Protection
Measure	Output Overcurrent Protection
<b>TRANSFORMATOR</b>	
Wrapping	Electrolytic Glass Insulated Copper Winding
Metal Sheet	10.000 Gauss Siliceous Sheet
<b>INDICATORS</b>	
LCD Panel	2 x 16 - 4 x 16 Line
PLC	S71200 - S7300
Otomation	Modbus / Profibus / ProfiNET / RS 232 / RS 485



Makelsan reserves the right to change or modify product design, construction, specifications, or materials without prior notice and without incurring any obligation to make such changes and modifications on Makelsan products previously or subsequently sold. Makelsan does not guarantee the items of the accuracy and completeness.

### DIMENSIONS

CODE	A (mm)	B (mm)	C (mm)
MKL 1	340	240	150
MKL 2	340	240	200
MKL 3	290	260	370
MKL 4	340	280	400
MKL 5	400	320	450
MKL 6	580	390	500

### OPTIONS

- Individual Outputs for Battery and Load
- Output Voltage Regulation with Dropper Circuit Depending on Load Voltage Tolerance
- Deep Discharge Inhibitor
- Additional LVD Contactor Separating Load and Battery from each other
- Battery Racks Integrated into the Rectifier
- Chassis's with Different Protection Class (IP31/IP42/IP54/IP65)
- DC +/- Ground Leakage Protection